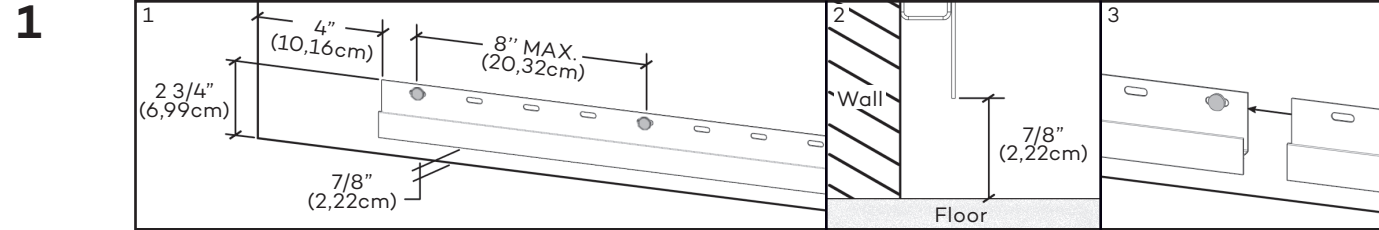


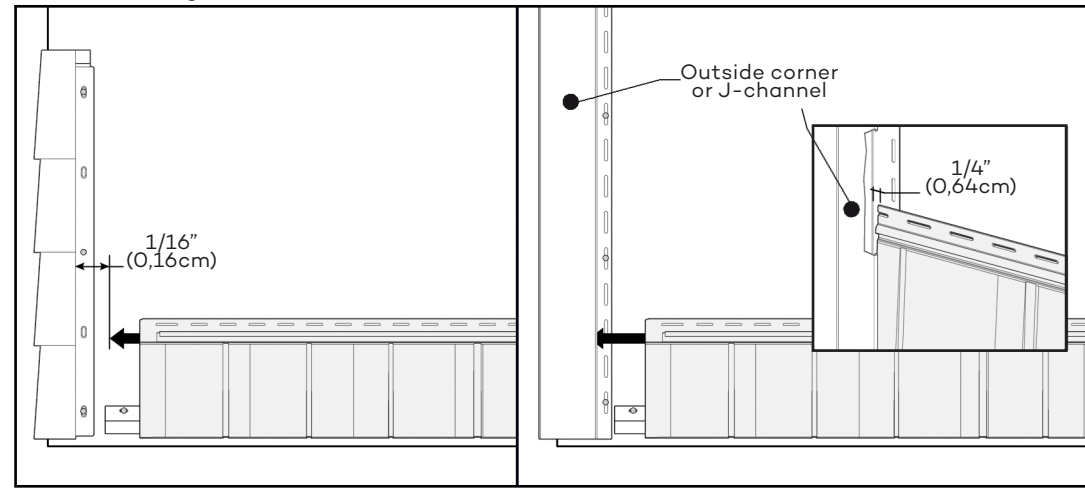
**CAUTION: ALWAYS INSTALL PRODUCT FROM LEFT TO RIGHT AND REMEMBER THAT POLYMER UNDERGOES EXPANSION/CONTRACTION DUE TO TEMPERATURE VARIATIONS. FOR A BETTER LOOK WE RECOMMEND TO INSTALL PRODUCT ON FLAT SURFACES (EX: PLYWOOD PANELS OR OSB PANELS). IF SECTIONS ARE INSTALLED ON A WALL WITH FURRINGS, FURRING STRIPS MUST BE INSTALLED OBLIQUELY AND SPACED BY 8" (20,32CM).**

FRANÇAIS  
AU VERSO

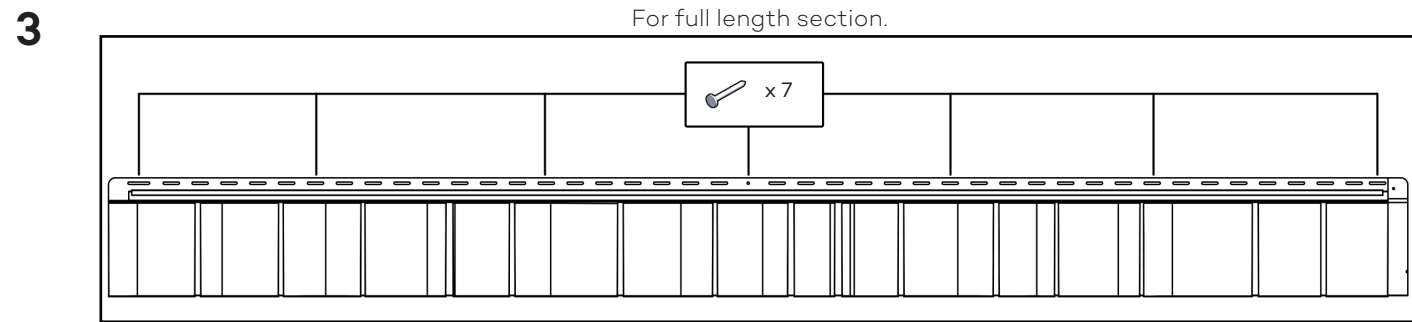


ESPAÑOL

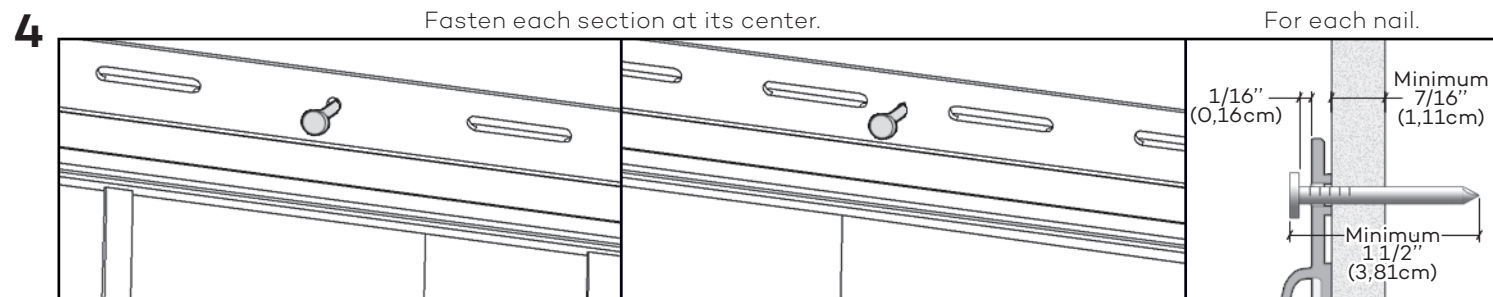
2 When using TandoShake™ corners. When used with J-channel or outside corner.



PORTUGUÊS



РУССКИЙ

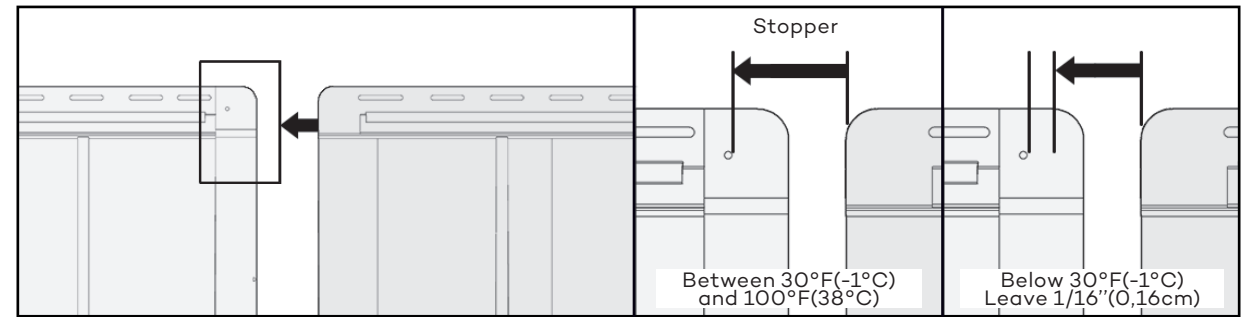


POLSKIE

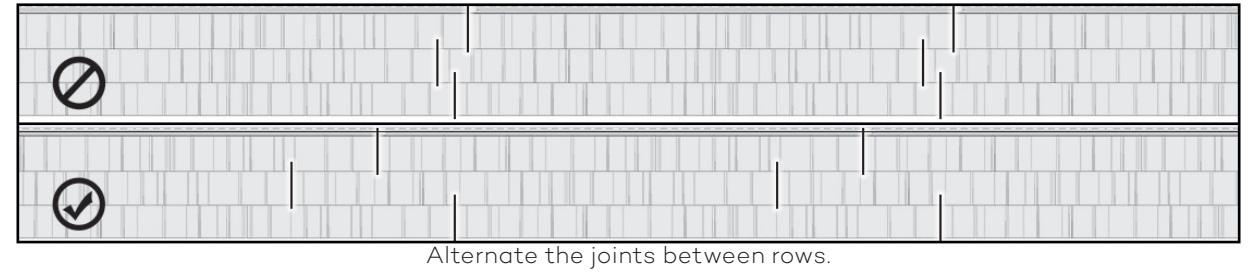
When installing a full section, nail in the center hole first. When installing a cut section, nail in its center as shown.

5

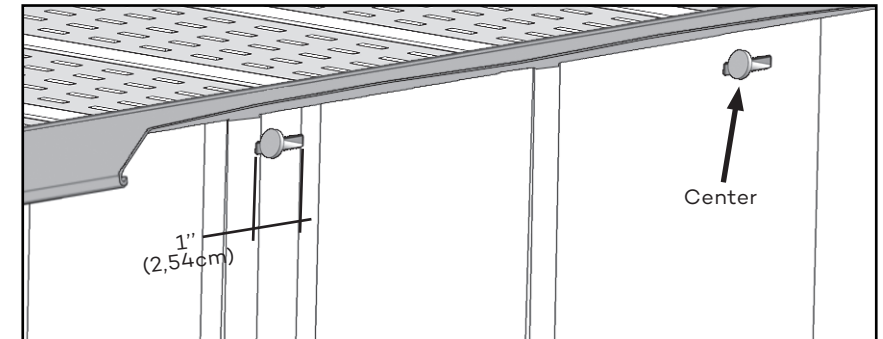
Install sections and space equally. For installation when outside temperature is between 30°F(-1°C) and 100°F(38°C), press against stopper.



6



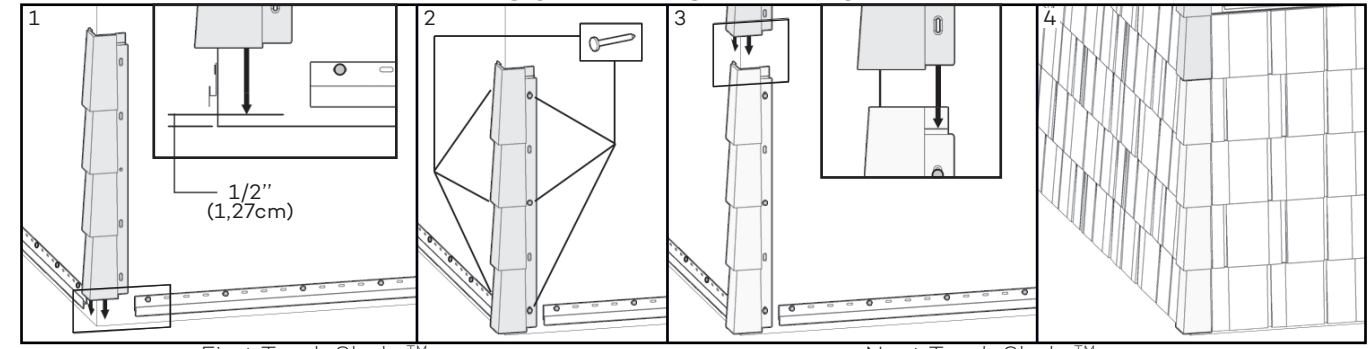
7



If you need to attach the section in an area other than the installation hole, create a 1" (2,54 cm) long slot to allow nailing. Always nail in the middle of the slot.

8

**CORNER INSTALLATION**



First TandoShake™ corner. Next TandoShake™ corners.

See [www.tandobp.com](http://www.tandobp.com) for the complete installation guide.

